

KEY FEATURES

- Complete car audio system
- Good power handling (60 w RMS / 120 w maximum)
- Extended frequency range (50-20000 Hz)
- Excellent sensitivity (92 dB)
- Polypropilene woofer cone
- Mylar tweeter diaphragm

WOOFER SPECIFICATIONS

Nominal diameter	165 mm. 6.5 in.
Nominal impedance	4 ohms
Power handling / maximum	60 W RMS / 120 W
Sensitivity	90 dB 1w @ 1m
Frequency range	50 - 7000 Hz
Resonant frequency, fs	57 Hz
D.C. voice coil resistance, Re	3.5 ohms.
Mechanical quality factor, Qms	3.4
Electrical quality factor, Qes	0.99
Total quality factor, Qts	0.77
Equivalent air volume to Cms, Vas	14.7 l
Efficiency, ηo (%)	0.3
Effective surface area, Sd	132 cm ²
Xmax	3 mm

TWEETER SPECIFICATIONS

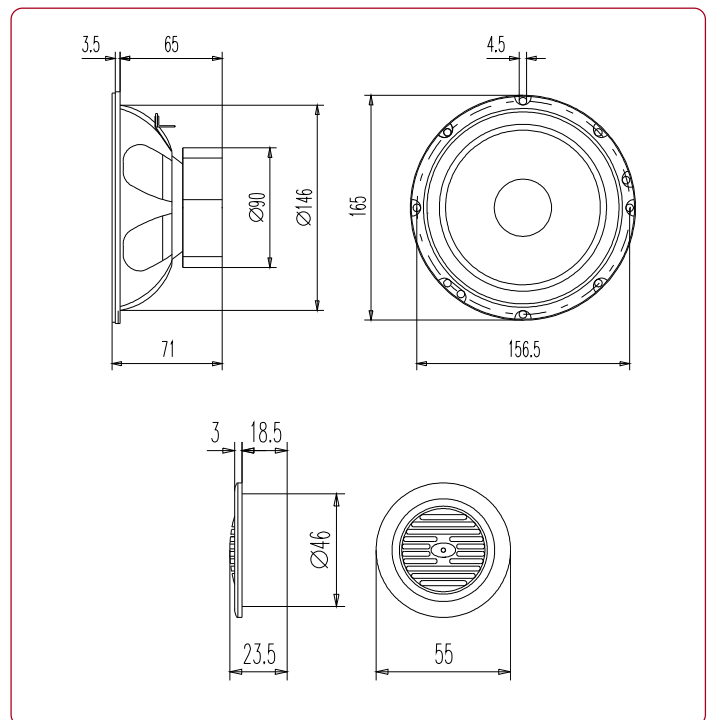
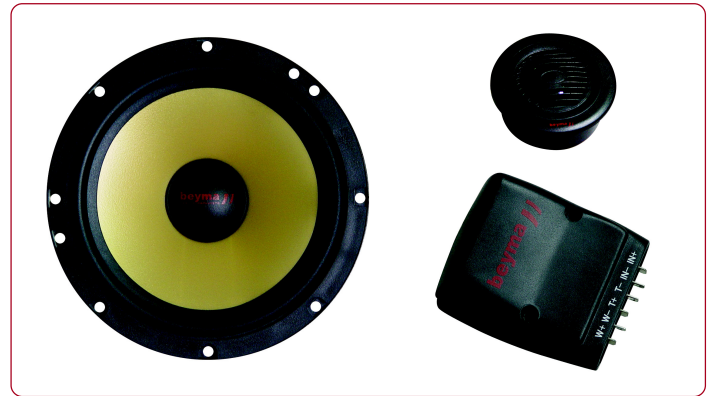
Nominal diameter	25 mm. 1 in.
Nominal impedance	4 ohms
Power handling / maximum	20 W RMS / 40 W
Sensitivity	92 dB 1w @ 1m
Frequency range	2 - 20 kHz

FILTER SPECIFICATIONS

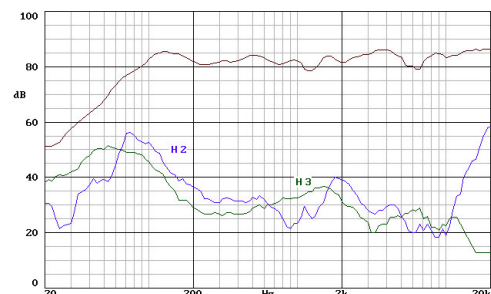
Power handling	100 W RMS
Crossover frequency	3.5 kHz
Attenuation slope	6 dB/oct.

MOUNTING INFORMATION

Woofer baffle cutout diameter	146 mm. 5.75 in.
Woofer mounting depth	65 mm. 2.56 in.
Tweeter baffle cutout diameter	46 mm. 1.81 in.
Tweeter mounting depth	18.5 mm. 0.73 in.
Filter external dimensions	74 x 66 x 33 mm. 2.9 x 2.6 x 1.3 in.



FREQUENCY RESPONSE



Note: on axis frequency response measured with loudspeaker standing on infinite baffle in anechoic chamber, 1w @ 1m.