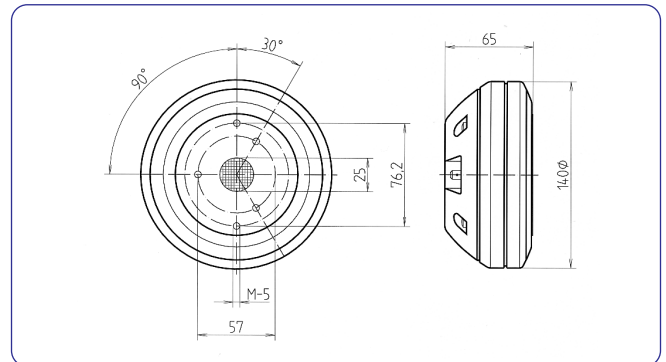


### TECHNICAL SPECIFICATIONS

<b>Throat diameter</b>	25 mm. 1 in.
<b>Rated impedance</b>	8 ohms.
<b>Minimum impedance</b>	5 ohms. @ 5 kHz
<b>D.C. Resistance</b>	6.8 ohms.
<b>Power Capacity*</b>	70 w AES above 1.5 kHz
<b>Program Power</b>	140 w. above 1.5 kHz
<b>Sensitivity**</b>	104 dB 1w @ 1m coupled to TD-250 horn
<b>Frequency range</b>	0.8 - 20 kHz
<b>Recommended crossover</b>	1 kHz or higher, 12 dB/oct. min.
<b>Voice coil diameter</b>	44.4 mm. 1.75 in.
<b>Magnetic assembly weight</b>	3.06 kg. 6.7lb.
<b>Flux density</b>	1.9 T
<b>BL factor</b>	9.6 N/A



### DIMENSION DRAWINGS



### MOUNTING INFORMATION

<b>Overall diameter</b>	140 mm. 5.5 in.
<b>Depth</b>	65 mm. 2.55 in.
<b>Mounting</b>	Three M5 threaded holes, 120° apart. on 57 mm (2.24 in.) diameter circle Two M5 threaded holes, 180° apart. on on 76.2 mm. (3 in.) diameter circle Mounting hardware is supplied.
<b>Net weight</b>	3.28 kg. 7.2 lb.
<b>Shipping weight</b>	3.4 kg. 4.48 lb.

#### Notes:

\*The power capacity is determined according to AES2-1984 (r2003) standard. Program power is defined as the transducer's ability to handle normal music program material.

\*\*Sensitivity was measured at 1 m distance, on axis, with 1 w input, averaged in the range 1-7 kHz

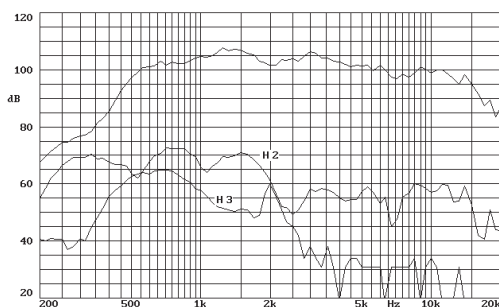
### MATERIALS

- **Diaphragm:** Titanium
- **Voice coil:** Edgewound aluminium ribbon
- **Voice coil former:** Kapton
- **Magnet:** Ferrite

### GENERAL DESCRIPTION

This 1" compression driver features an integral dome and suspension formed from pure titanium, attached to an edgewound aluminium ribbon voice coil, providing exceptional high acoustic pressure with low distortion and extended response, with extra power handling. The coil diaphragm assembly is easily field replaceable without soldering.

### FREQUENCY RESPONSE AND DISTORTION CURVES



Note: on axis frequency response measured coupled to TD250 horn in anechoic chamber, 1w @ 1m

### FREE AIR IMPEDANCE CURVE

