

KEY FEATURES

- High power handling: 1000 W program power
- 2,5" copper wire voice coil
- Beyma's Malt Cross® ultimate Cooling System
- Low power compression losses
- High sensitivity: 97 dB
- FEA optimized magnetic circuit
- Designed with MMSS technology for high control, linearity and low harmonic distortion. LSI optimized parameters
- Waterproof cone with treatment for both sides of the cone
- Extended controlled displacement: $X_{max} \pm 8$ mm
- Massive mechanical displacement capability: $X_{damage} \pm 40$ mm
- Optimized for 2 or 3 way PA systems and line arrays for ultimate professional applications

TECHNICAL SPECIFICATIONS

Nominal diameter	250 mm	10 in
Rated impedance		8 Ω
Minimum impedance		6,1 Ω
Power capacity*	500 W _{AES}	
Program power	1000 W	
Sensitivity	97 dB	1W / 1m @ Z _N
Frequency range	60 - 5.000 Hz	
Voice coil diameter	63,5 mm	2,5 in
BI factor		18,3 N/A
Moving mass		0,044 kg
Voice coil length		19,5 mm
Air gap height		9,5 mm
X _{damage} (peak to peak)		40 mm

MOUNTING INFORMATION

Overall diameter	261 mm	10,28 in
Bolt circle diameter	243,5 mm	9,59 in
Baffle cutout diameter:		
- Front mount	230 mm	9,06 in
Depth	125 mm	4,90 in
Net weight	5,7 kg	12,5 lb
Shipping weight	6,1 kg	13,45 lb

Notes:

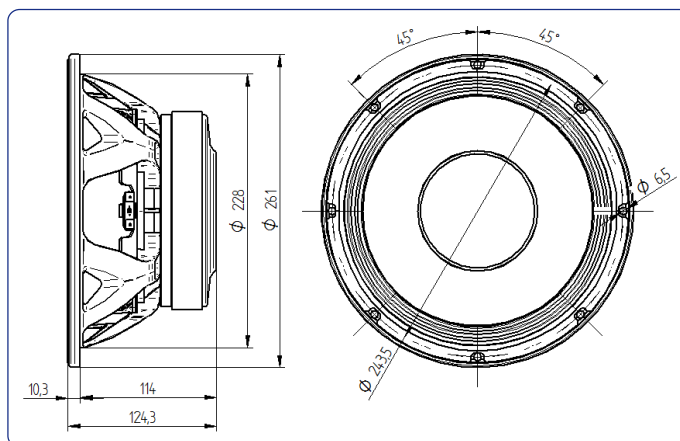
* The power capacity is determined according to AES2-1984 (r2003) standard. Program power is defined as the transducer's ability to handle normal music program material.

** T-S parameters are measured after an exercise period using a preconditioning power test. The measurements are carried out with a velocity-current laser transducer and will reflect the long term parameters (once the loudspeaker has been working for a short period of time).

*** The X_{max} is calculated as $(L_{vc} \cdot H_{ag})/2 + (H_{ag}/3,5)$, where L_{vc} is the voice coil length and H_{ag} is the air gap height.



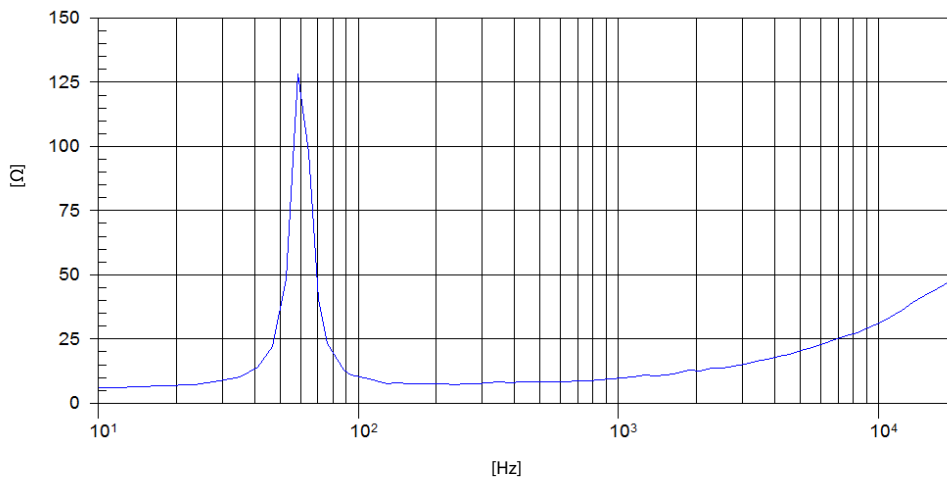
DIMENSION DRAWINGS



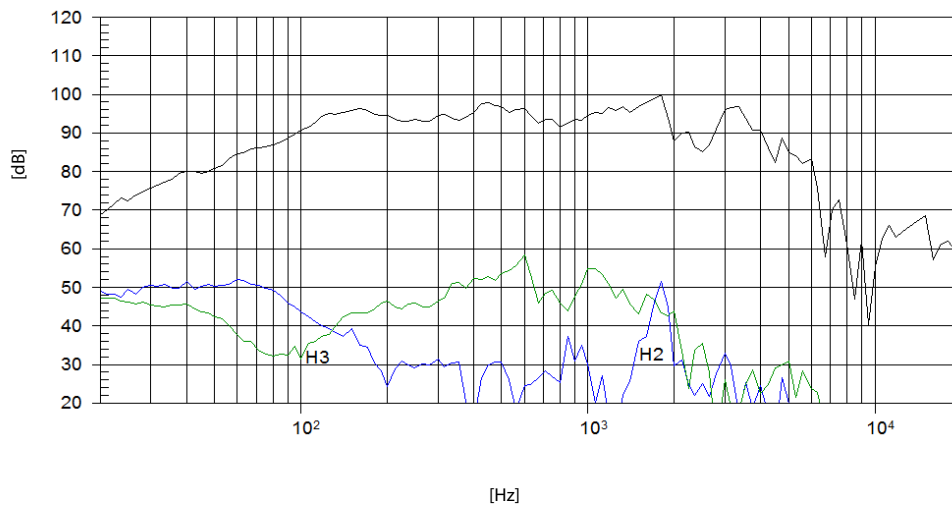
THIELE-SMALL PARAMETERS**

Resonant frequency, f_s	60 Hz
D.C. Voice coil resistance, R_e	5,7 Ω
Mechanical Quality Factor, Q_{ms}	7,5
Electrical Quality Factor, Q_{es}	0,29
Total Quality Factor, Q_{ts}	0,28
Equivalent Air Volume to C_{ms} , V_{as}	26 l
Mechanical Compliance, C_{ms}	154 $\mu\text{m} / \text{N}$
Mechanical Resistance, R_{ms}	2,3 kg / s
Efficiency, η_0	2 %
Effective Surface Area, S_d	0,035 m^2
Maximum Displacement, X_{max} ***	8 mm
Displacement Volume, V_d	280 cm^3
Voice Coil Inductance, L_e @ 1 kHz	1 mH

FREE AIR IMPEDANCE CURVE



FREQUENCY RESPONSE AND DISTORTION



Note: On axis frequency response measured with loudspeaker standing on infinite baffle in anechoic chamber, 1W @ 1m