

KEY FEATURES

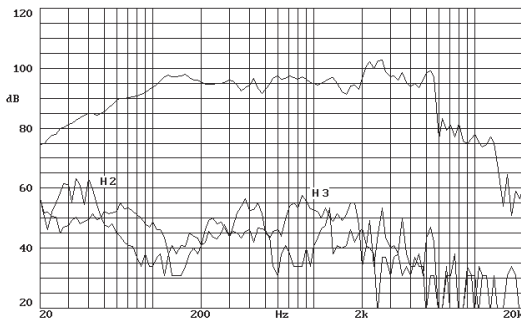
- 2" copper voice-coil, with a lightweight curvilinear cone.
- High sensitivity: 98 dB
- Excellent compromise between power handling (125 w AES), wide frequency response (45-6000 Hz) and high efficiency (2.6%)
- Designed for compact enclosures with 2 or 3 ways.



GENERAL DESCRIPTION

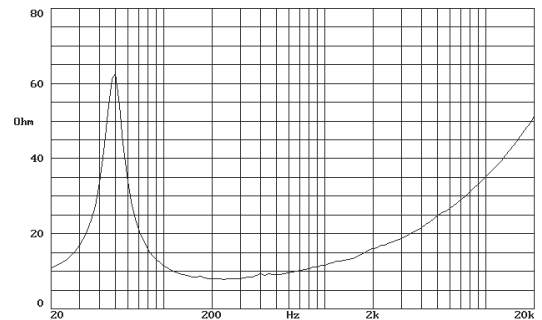
This 12" loudspeaker has been designed to reproduce low and mid frequencies. It features a 2" (52 mm) voice coil diameter, a lightweight curvilinear cone and a massive magnet system. This model offers good efficiency, with extended frequency response and reduced harmonic distortion. It is well suited for bass applications, in 2 or 3 way systems.

FREQUENCY RESPONSE AND DISTORTION CURVES

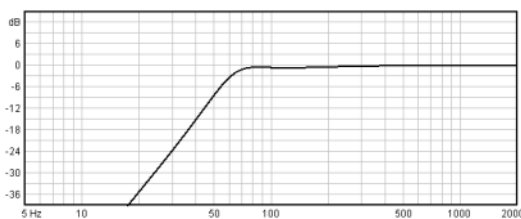


Note: on axis frequency response measured with loudspeaker standing on infinite baffle in anechoic chamber, 1w @ 1m.

FREE AIR IMPEDANCE CURVE



PREDICTED LOW FREQUENCY RESPONSE



Note: Bass-reflex cabinet, Vb=50 l, fb=60 Hz

TECHNICAL SPECIFICATIONS

Nominal diameter	300 mm. 12 in.
Rated impedance	8 ohms.
Minimum impedance	7.9 ohms.
Power capacity *	125 w AES
Program power	250 w
Sensitivity	98 dB 2.83v @ 1m @ 2π
Frequency range	45 - 6000 Hz
Recom. enclosure vol.	30 / 100 l 1.06 / 3.53 ft. ³
Voice coil diameter	52 mm. 2 in.
Magnetic assembly weight	3.85 kg. 8.5 lb.
BL factor	15.8 N / A
Moving mass	0.045 kg.
Voice coil length	15 mm.
Air gap height	7 mm.
X damage (peak to peak)	16 mm.

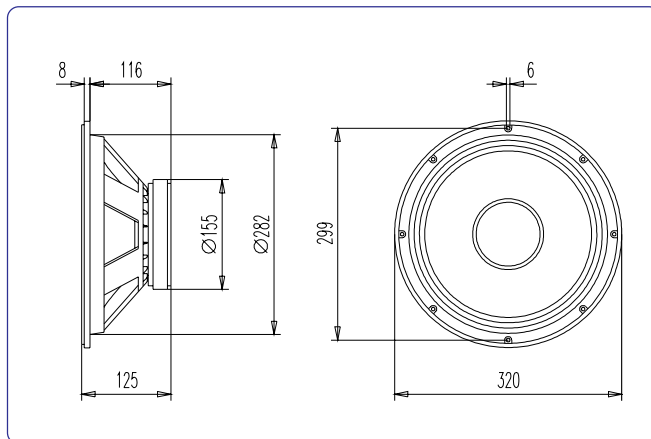
MOUNTING INFORMATION

Overall diameter	320 mm. 12.6 in.
Bolt circle diameter	299 mm. 11.77 in.
Baffle cutout diameter:	
- Front mount	282 mm. 11.10 in.
- Rear mount	280 mm. 11.02 in.
Depth	125 mm. 4.88 in.
Volume displaced by driver	4.5 l 0.16 ft. ³
Net weight	4.5 kg. 9.9 lb.
Shipping weight	5.1 kg. 11.24 lb.

THIELE-SMALL PARAMETERS **

Resonant frequency, fs	41 Hz
D.C. Voice coil resistance, Re	6.5 ohms.
Mechanical Quality Factor, Qms	2.01
Electrical Quality Factor, Qes	0.31
Total Quality Factor, Qts	0.27
Equivalent Air Volume to Cms, Vas	122 l
Mechanical Compliance, Cms	355 μm / N
Mechanical Resistance, Rms	5.77 kg / s
Efficiency, ηo (%)	2.6
Effective Surface Area, Sd (m ²)	0.0510 m ²
Maximum Displacement, Xmax	4 mm.
Displacement Volume, Vd	204 cm. ³
Voice Coil Inductance, Le @ 1 kHz	1 mH

DIMENSION DRAWINGS



MATERIALS

- **Voice coil:** round copper wire with high temperature bonding strength. Polyimide fiber glass former able to withstand high temperatures.
- **Cone:** paper cone.
- **Surround:** treated cloth to guarantee good retaining of elasticity in despite of continuing use.
- **Spider:** cotton spider.
- **Metal parts:** anti-corrosion coated parts designed to resist aggressive environmental conditions.
- **Basket:** specially designed die cast aluminium basket to avoid disturbing resonances.
- **Magnet:** ferrite magnet.

Notes:

*The power capacity is determined according to AES2-1984 (r2003) standard. Program power is defined as the transducer's ability to handle normal music program material.

**T-S parameters are measured after an exercise period using a preconditioning power test. The measurements are carried out with a velocity-current laser transducer and will reflect the long term parameters (once the loudspeaker has been working for a short period of time).



acústica beyma, s.a.