

TECHNICAL SPECIFICATIONS

Nominal diameter	300 mm.	12 in.
Rated impedance	8 ohms	
Power capacity	150 w RMS	
Program power	300 w	
Sensitivity	102 dB	2.83v @ 1m @ 2 π
Frequency range	50 - 6000 Hz	
Voice coil diameter	100 mm.	4 in.
Magnetic assembly weight	8.6 kg.	18.92 lb.
BL factor	21.3 N / A	
Moving mass	0.057 kg.	
Voice coil length	9 mm	
Air gap height	9.5 mm	

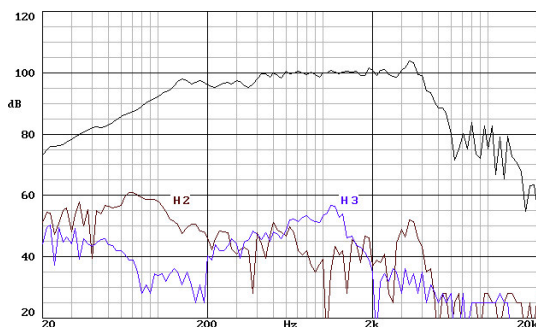
MOUNTING INFORMATION

Overall diameter	312 mm.	12.28 in.
Bolt circle diameter	295 mm.	11.61 in.
Baffle cutout diameter:		
- Front mount	284 mm.	11.18 in.
- Rear mount	284 mm.	11.18 in.
Depth	124 mm.	4.88 in.
Volume displaced by driver	5.5 l.	0.19 ft. ³
Net weight	10 kg.	22 lb.
Shipping weight	10.8 kg.	23.76 lb.

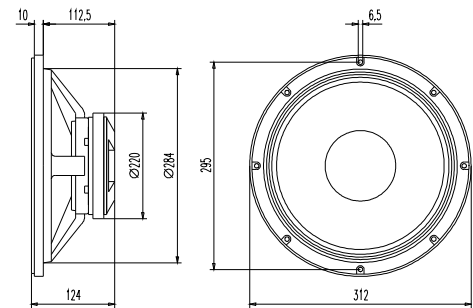
MATERIALS

- **Basket:** cast aluminium.
- **Cone:** paper.
- **Surround:** cloth.
- **Voice coil:** edgewound aluminium ribbon.

FREQUENCY RESPONSE AND DISTORTION CURVES



DIMENSION DRAWINGS



THIELE-SMALL PARAMETERS

Resonant frequency, fs	37 Hz
D.C. Voice coil resistance, Re	5.7 ohms.
Mechanical Quality Factor, Qms	8.46
Electrical Quality Factor, Qes	0.17
Total Quality Factor, Qts	0.16
Equivalent Air Volume to Cms, Vas	130 l
Efficiency, η (%)	3.8
Effective Surface Area, Sd (m ²)	0.0530 m ²
Voice Coil Inductance, Le @ 1 kHz	1.4 mH

FREE AIR IMPEDANCE CURVE

