

KEY FEATURES

- 3" full-range compact neodymium loudspeaker
- 60 W program power
- Extended response and low distortion
- Demodulation copper cap for constant impedance curve
- Paper cone and treated cloth surround
- Steel basket
- Ideal for beam-steering application (columns), portable array and compact applications

TECHNICAL SPECIFICATIONS

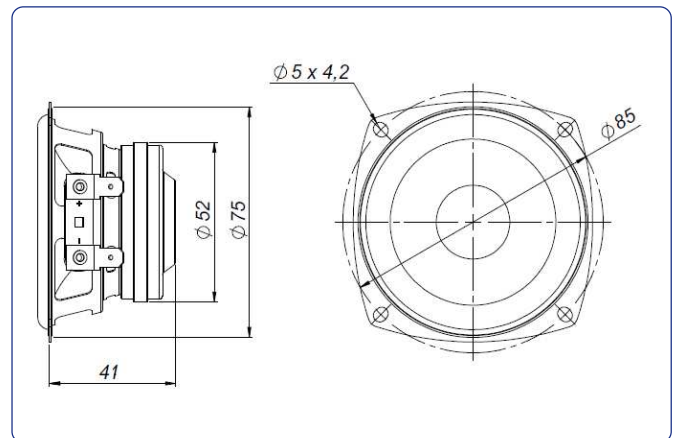
Nominal diameter	77 mm	3 in
Rated impedance		8 Ω
Minimum impedance		6,4 Ω
Power capacity*		30 W _{AES}
Program power		60 W
Sensitivity	92 dB	1W / 1m @ Z _N
Frequency range		200 - 20.000 Hz
Voice coil diameter	20,3 mm	0,8 in
BI factor		4,6 N/A
Moving mass		0,002 kg
Voice coil length		10,5 mm
Air gap height		3 mm

THIELE-SMALL PARAMETERS**

Resonant frequency, f_s	188 Hz
D.C. Voice coil resistance, R_e	5,4 Ω
Mechanical Quality Factor, Q_{ms}	8,1
Electrical Quality Factor, Q_{es}	0,58
Total Quality Factor, Q_{ts}	0,54
Equivalent Air Volume to C_{ms} , V_{as}	0,56 l
Mechanical Compliance, C_{ms}	362 $\mu\text{m} / \text{N}$
Mechanical Resistance, R_{ms}	0,29 kg / s
Efficiency, η_0	0,63 %
Effective Surface Area, S_d	0,003 m ²
Maximum Displacement, X_{max} ***	4,5 mm
Displacement Volume, V_d	13,5 cm ³
Voice Coil Inductance, L_e @ 1 kHz	0,2 mH



DIMENSION DRAWINGS



MOUNTING INFORMATION

Overall diameter	93,5 mm	3,68 in
Bolt circle diameter	85 mm	3,35 in
Baffle cutout diameter:		
- Front mount	75 mm	2,95 in
Depth	41 mm	1,61 in
Net weight	0,25 kg	0,55 lb
Shipping weight	0,40 kg	0,95 lb

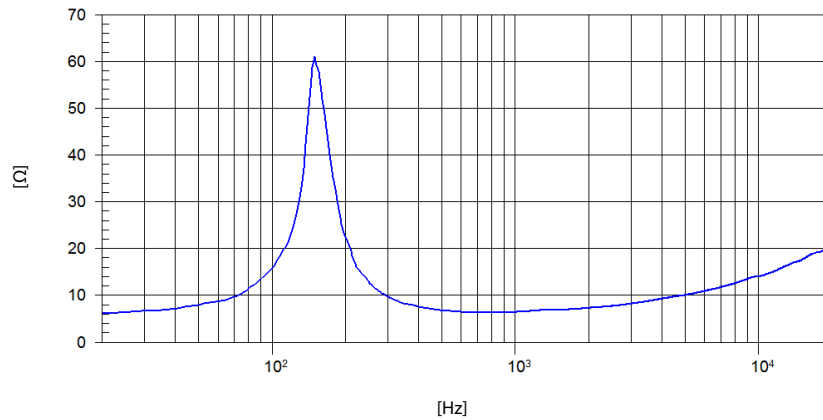
Notes:

* The power capacity is determined according to AES2-1984 (r2003) standard. Program power is defined as the transducer's ability to handle normal music program material.

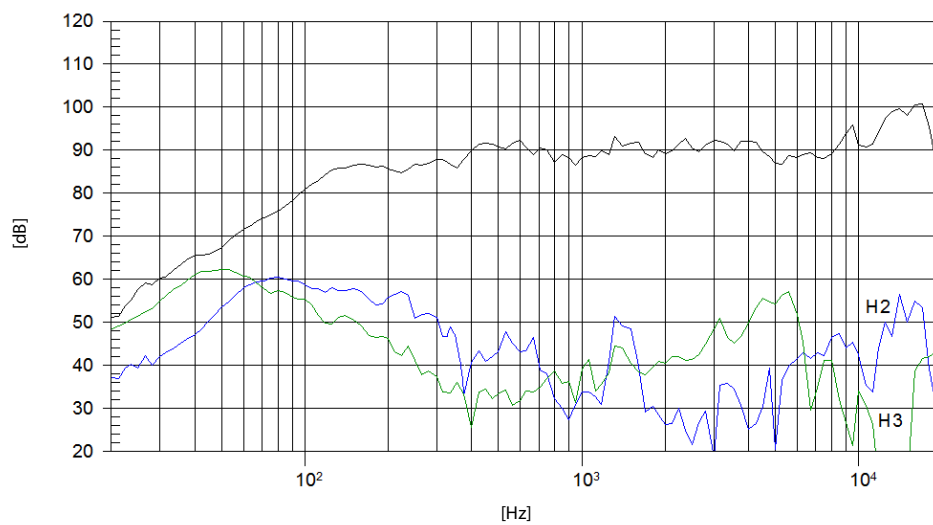
** T-S parameters are measured after an exercise period using a preconditioning power test. The measurements are carried out with a velocity-current laser transducer and will reflect the long term parameters (once the loudspeaker has been working for a short period of time).

*** The X_{max} is calculated as $(L_{vc} - H_{ag})/2 + (H_{ag}/3,5)$, where L_{vc} is the voice coil length and H_{ag} is the air gap height.

FREE AIR IMPEDANCE CURVE



FREQUENCY RESPONSE AND DISTORTION



Note: On axis frequency response measured with loudspeaker standing on infinite baffle in anechoic chamber, 1W @ 1m