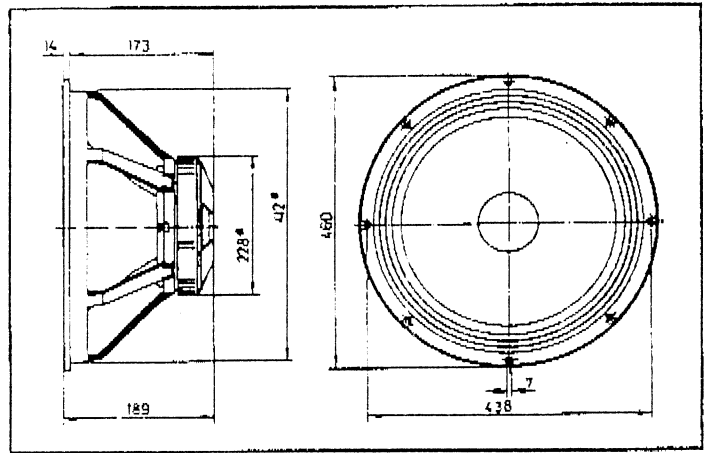


18 GT200

LOW FREQUENCY LOUDSPEAKER

DESCRIPTION

This 18" high compliance, long coil bass driver, features a double spider suspension, 4" voice coil diameter, and symmetrical magnetic field. It has been designed to reinforce the low frequency range at very high power levels, with maximum efficiency when mounted in horn loaded or tuned bass-reflex enclosures.



SPECIFICATIONS

Nominal diameter	460 mm-18"
Rated impedance	8 ohms
Power capacity	300 w
Sensitivity	100 dB, 1w @ 1m
Frequency range	25 - 3000 Hz
Recom. enclosure volume	80 - 250 l
Voice coil diameter	100 mm - 4"
Magnet assembly weight	8.6 kg
BI factor	21 N/A
Moving mass	0.135 kg

Positive voltage on red terminal moves diaphragm forward

THIELE-SMALL PARAMETERS

fs	30 Hz
Re	5.8 Ohms
Qms	6.02
Qes	0.34
Qts	0.32
Vas	355 l
no	2.8 %
Sd	0.11 m ²
Xmax	5 mm
Vd	550 cm ³
Le	1 mH

MOUNTING INFORMATION

Overall diameter	460 mm
Bolt circle diameter	438 mm
Baffle cutout diameter:	
-Front mount	415 mm
-Rear mount	400 mm
Depth	189 mm
Volume displaced by driver	13 l
Net weight	10.8 kg
Shipping weight	12.3 kg

MATERIALS

Basket	Die cast aluminium
Cone	Paper
Surround	Plasticised cloth
Voice coil	Edgewound copper ribbon

